

# ACRYLIC GUARDS



Acrylic guards was developed to keep both the consumer and associate protected during the whole length of any in person transaction. Featuring a built in transaction window, each customer can be serviced with minimal contact and without having to reach over the sides to pass along cash or credit cards. Made of lightweight acrylic, each guard is ensured to be easy to assemble and move.



## Benefits

- **Protection**
- **Keep associates safe**
- **Keep customers safe**
- **Cash or transaction window, for ease of transaction**
- **Acrylic Material**
- **Lightweight, easy to move**
- **Easy to assemble**

## Custom Sizing

Acrylic guards are offered in custom sizing, no matter how big or how small you may need it to be. If our standard sizes are not sufficient enough for your needs, feel free to send us the dimensions you'd like your acrylic guard to be and one of our sales associates will get in contact with you about pricing and lead time.

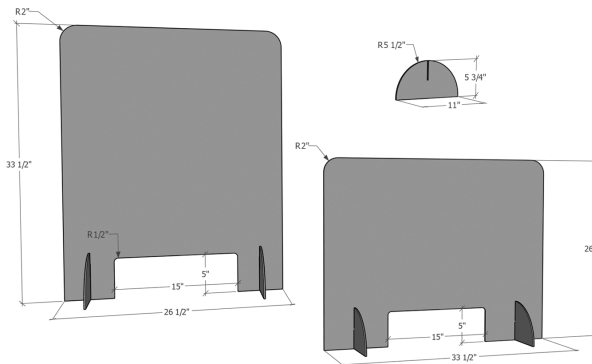
# Construction and Dimensions

Each acrylic guard is made of crystal clear acrylic to ensure that visibility is not compromised between the associate and customer. Two different sizes offer variety for each storefront, while wide legs are standard on either size, providing proper support to keep your guard always planted. Rounded edges maintain a stylish look while eliminating sharp points that could cause injury, and an install that doesn't require tools or hardware just further how safe acrylic guards are.

- **Made of clear acrylic**
- **Rounded corners for style and safety**
- **Easy to assemble, no tools or hardware required**
- **Wide legs for proper support**
- **2 different sizes to choose from that best fits your business**

## Tall Guard:

- 3/16" Thick
- 26.5" Wide
- 33.5" Tall
- 11" Depth
- 15" x 5" Window



## Wide Guard:

- 3/16" Thick
- 33.5" Wide
- 26.5" Tall
- 11" Depth
- 15" x 5" Window

Qty	Price per panel*	
	Tall Guard	Wide Guard
1-4	\$130	\$130
5-9	\$115	\$115
10-25	\$100	\$100
25+	\$92	\$92

\* Price does not include shipping



## Order Today!

To place an order, or get additional information, contact us at:

**626-851-0444** or email [sales@pacificpanel.com](mailto:sales@pacificpanel.com)

Visit us online:  
**pacificpanel.com**

